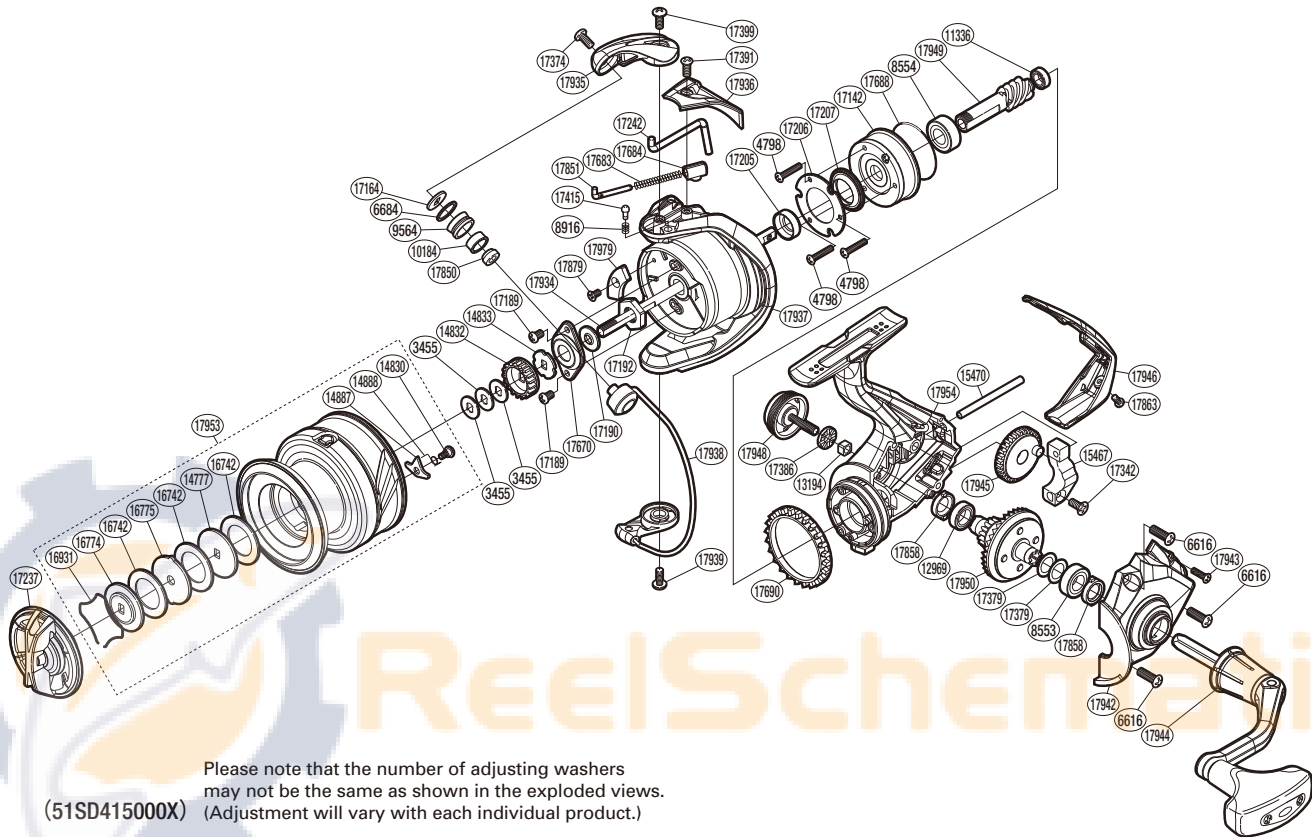


SHIMANO

NASCI

NAS-C5000XGFB



Please note that the number of adjusting washers may not be the same as shown in the exploded views. (51SD415000X) (Adjustment will vary with each individual product.)

| Part No. | Description | Part No. | Description | Part No. | Description |
|----------|---------------------|----------|---------------------------|----------|---------------------|
| RD 3455 | Spool Washer | RD16931 | Drag Washers Retainer | RD17850 | Line Roller Collar |
| RD 4798 | Screw | RD17142 | Roller Clutch Assembly | RD17851 | Bail Spring Guide |
| RD 6616 | Screw | RD17164 | Line Roller Washer | RD17858 | Bearing Water Proof |
| RD 6684 | Line Roller Spacer | RD17189 | Screw | RD17863 | Screw |
| RD 8553 | Ball Bearing | RD17190 | Bearing Water Proof | RD17879 | Screw |
| RD 8554 | Ball Bearing | RD17192 | Rotor Nut | RD17934 | Main Shaft |
| RD 8916 | Click Spring | RD17205 | Rotor Ring | RD17935 | Bail Arm |
| RD 9564 | Line Roller | RD17206 | Roller Clutch Reinforce | RD17936 | Bail Spring Cover |
| RD10184 | Line Roller Bushing | RD17207 | Roller Clutch Water Proof | RD17937 | Rotor |
| RD11336 | Ball Bearing | RD17237 | Drag Knob | RD17938 | Bail Assembly |
| RD12969 | Ball Bearing | RD17242 | Bail Trip Lever | RD17939 | Screw |
| RD13194 | Handle Screw Lock | RD17342 | Screw | RD17942 | Side Cover |
| RD14777 | Key Washer | RD17374 | Screw | RD17943 | Screw |
| RD14830 | Screw | RD17379 | Washer | RD17944 | Handle Assembly |
| RD14832 | Spool Support A | RD17386 | Handle Screw Cap Spacer | RD17945 | Oscillating Gear |
| RD14833 | Spool Support B | RD17391 | Screw | RD17946 | Rear Protector |
| RD14887 | Drag Click | RD17399 | Screw | RD17948 | Handle Screw Cap |
| RD14888 | Click Spring | RD17415 | Click Pin | RD17949 | Pinion Gear |
| RD15467 | Oscillating Slider | RD17670 | Rotor Nut Lock Plate | RD17950 | Drive Gear |
| RD15470 | Oscillating Guide | RD17683 | Bail Spring | RD17953 | Spool Assembly |
| RD16742 | Drag Washer | RD17684 | Bail Spring Seat | RD17954 | Body |
| RD16774 | Key Washer | RD17688 | O Ring | RD17979 | Counter Weight A |
| RD16775 | Eared Washer | RD17690 | Friction Ring | | |